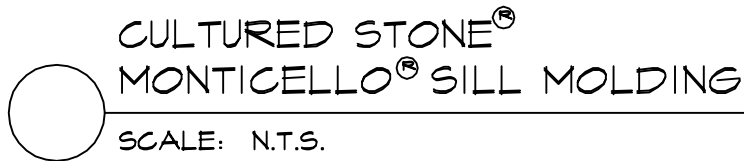


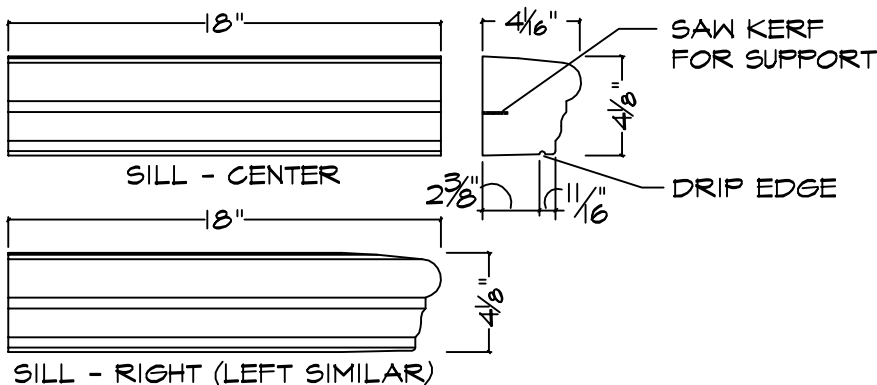
* STONES DIRECTLY UNDER THE SILL SHALL NOT PROTRUDE BEYOND THE DRIP EDGE



COPYRIGHT 2006 Owens Corning

detail is set to display properly using Architxt.shx font

csd_m_tr_sill
issued 04/21/2006



MONTICELLO[®] SILL MOLDING PROFILES