

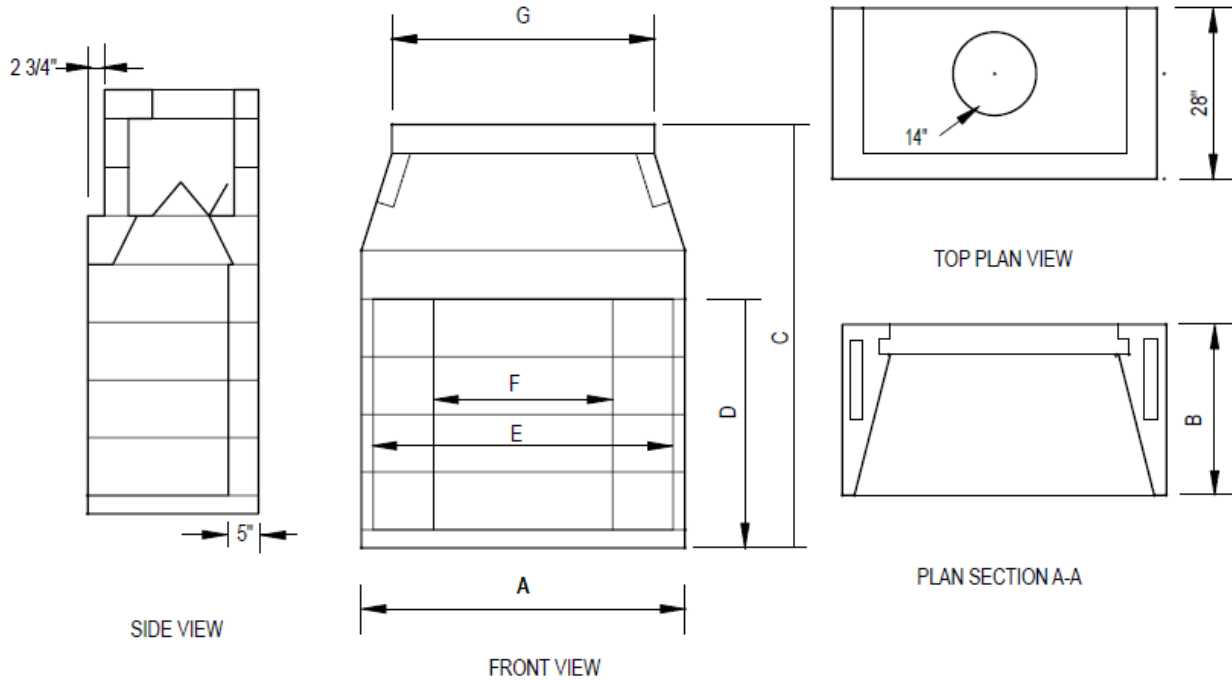
Isokern Manual

Behind every beautiful fireplace is an Isokern...



	MAGNUM	STANDARD	IBV	VENT FREE
APPLICATIONS				
Indoor	●	●	●	●
Outdoor	●	●		●
2 Sided		●		●
Commercial	●	●	●	●
Residential	●	●	●	●
Custom Finish	●	●	●	●
Fire-Lite Combustible Floor Installation	●	●		
Combustible Floor Installation			●	●
Masonry Foundation Installation	●	●	●	●
VENTING				
Vented Masonry Chimney	●	●		
Vented Metal Chimney	●	●	●	
Unvented (no chimney needed)				●
FUEL TYPES				
Wood	●	●		
Liquid Propane	●	●	●	●
Natural Gas	●	●	●	●
HEARTH OPENING SIZES (See firebox dimensions for actual opening size)				
28"	●			
36"	●	●	●	●
42"	●	●		●
46"		●	●	●
48"	●			
60"	●			
72"	●			

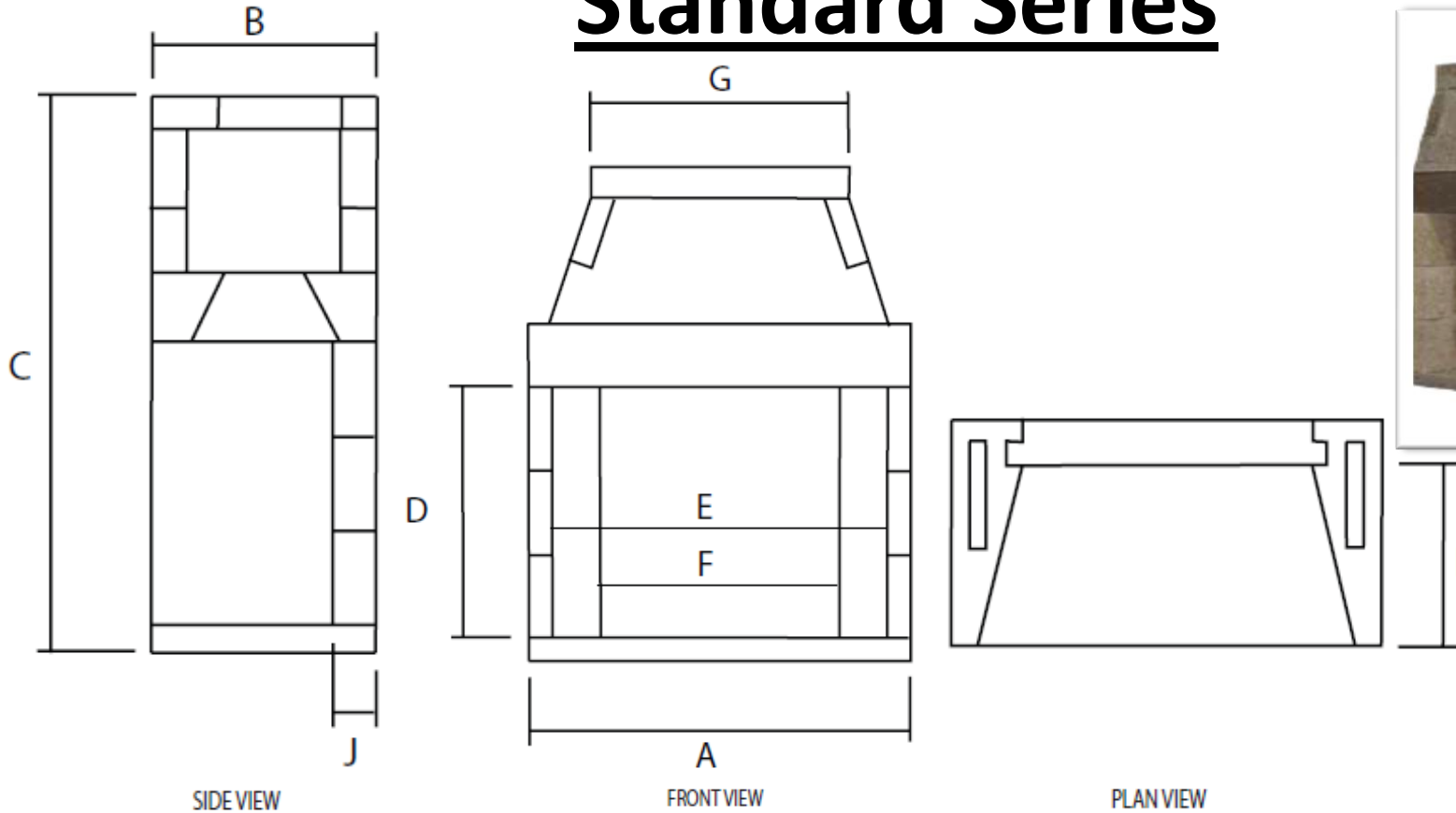
Magnum Series



MODEL	"A"	"B"	"C"	"D"	"E"	"F"	"G"	MINIMUM FRAMING:	WEIGHT
28" *	35 1/2"	28"	60 1/4"	31 1/2"	31"	19 3/4"	22 1/4"	39"W x 61 1/2"H x 29 1/2"D	1040 lbs
36"	43"	28"	69 3/4"	41"	38 3/8"	27 1/4"	33"	46"W x 71"H x 29 1/2"D	1300 lbs
42"	49"	28"	69 3/4"	41"	44 1/2"	33 1/4"	33"	52"W x 71"H x 29 1/2"D	1420 lbs
48"	53"	28"	69 3/4"	41"	48 1/2"	37 1/4"	43"	56"W x 71"H x 29 1/2"D	1600 lbs

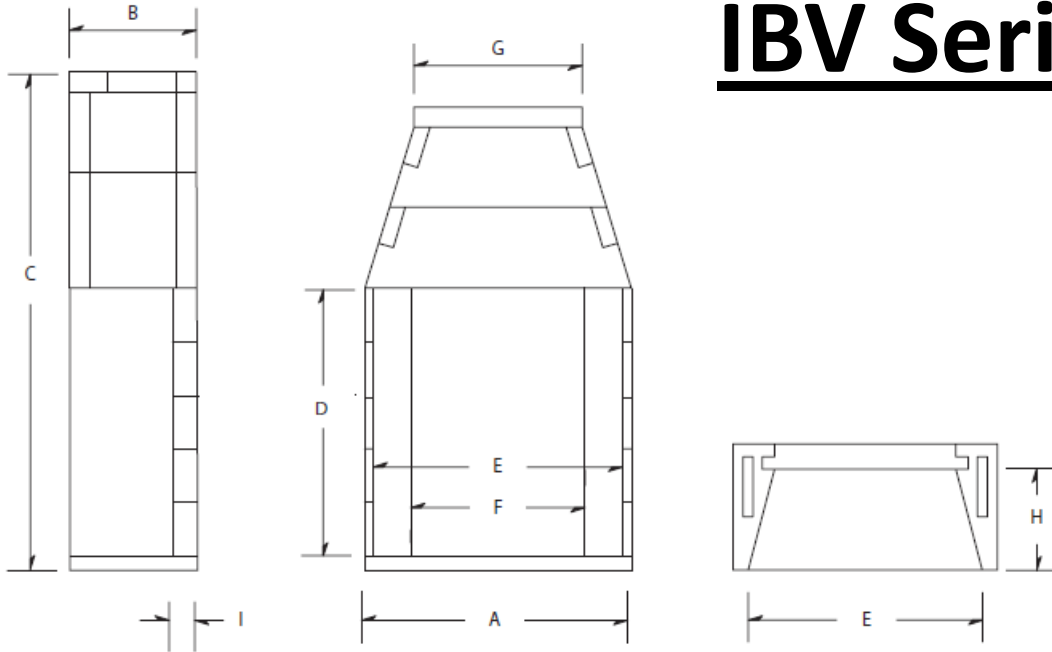
* 28" Model comes with three (3) sidewalls

Standard Series



MODEL	A	B	C	D	E	F	G	I	J	MINIMUM FRAMING	WEIGHT
36	43"	25 1/4"	63 1/4"	31 1/2"	36 1/8"	27 1/4"	33"	20 1/4"	5"	(46"W)x(65"H)x(26 3/4"D)	1205 lbs
42	49"	25 1/4"	63 1/4"	31 1/2"	43 1/8"	33 1/4"	33"	20 1/4"	5"	(52"W)x(65"H)x(26 3/4"D)	1325 lbs
46	53"	25 1/4"	63 1/4"	31 1/2"	47 1/8"	37 1/4"	43"	20 1/4"	5"	(56"W)x(65"H)x(26 3/4"D)	1450 lbs

IBV Series



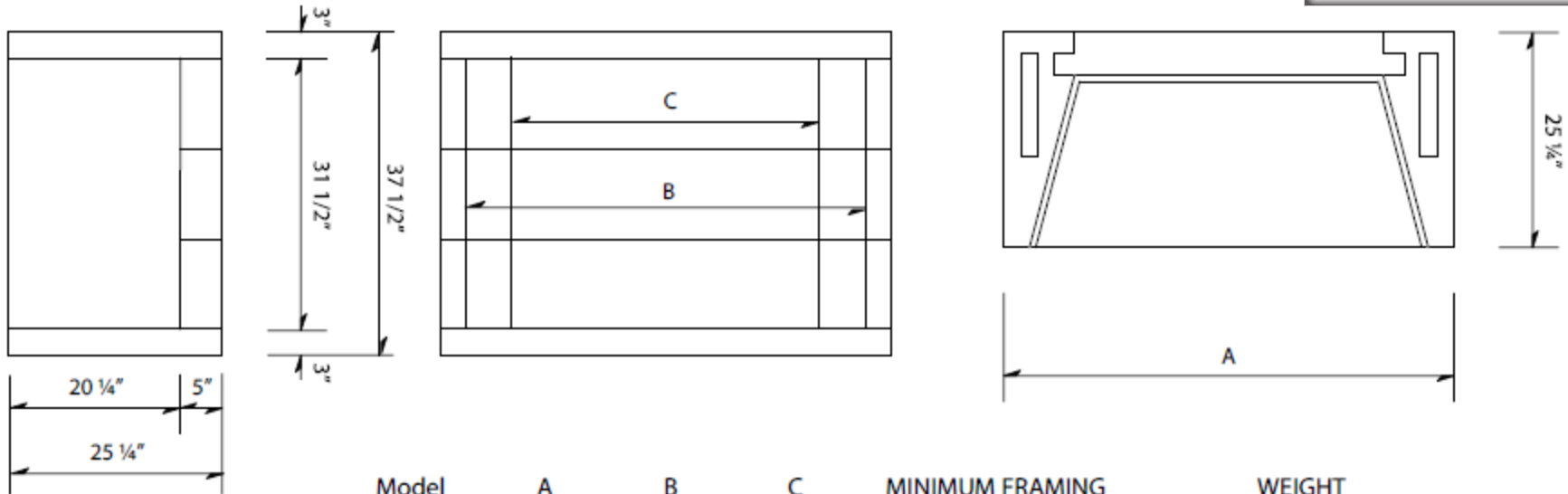
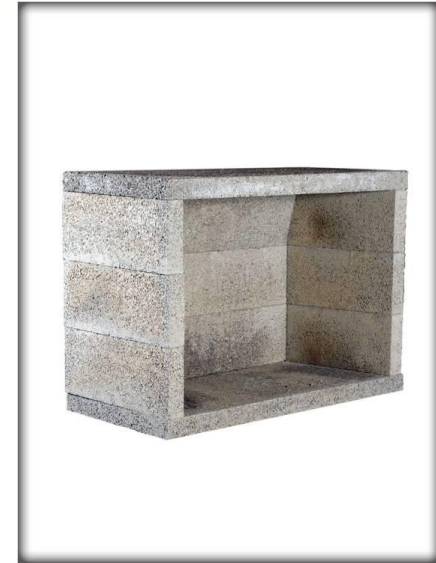
Side View

Front View

Plan View

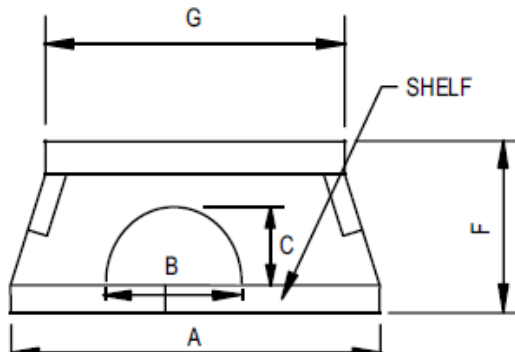
Model	A	B	C	D	E	F	G	H	I	Minimum Framing	Weight
36"	43"	25¼"	71 1/4"	31 1/2"	36 1/8"	27 1/4"	21½"	20¼"	5"	43"W x 71 1/4"H x 26 3/4"D	1500 lbs.
46"	53"	25¼"	71 1/4"	31 1/2"	47 1/8"	37 1/4"	32"	20¼"	5"	53"W x 71 1/4"H x 26 3/4"D	1700 lbs.
*To achieve height dimension "D" in table above, a 100" (8.3') minimum flue height with 10" I.D. B-Vent is required											
36"	43"	25¼"	81 3/4"	*42"	36 1/8"	27 1/4"	21½"	20¼"	5"	43"W x 81 3/4"H x 26 3/4"D	1650 lbs.
46"	53"	25¼"	81 3/4"	*42"	47 1/8"	37 1/4"	32"	20¼"	5"	53"W x 81 3/4"H x 26 3/4"D	1850 lbs.
*To achieve height dimension "D" in table above, a 9' minimum flue height with 10" I.D. B-Vent is required											
36"	43"	25¼"	92 1/4"	*52 1/2"	36 1/8"	27 1/4"	21½"	20¼"	5"	43"W x 92 1/4"H x 26 3/4"D	1800 lbs.
46"	53"	25¼"	92 1/4"	*52 1/2"	47 1/8"	37 1/4"	32"	20¼"	5"	53"W x 92 1/4"H x 26 3/4"D	2000 lbs.
*To achieve height dimension "D" in table above, a 12' minimum flue height with 10" I.D. B-Vent is required											

Vent Free Series

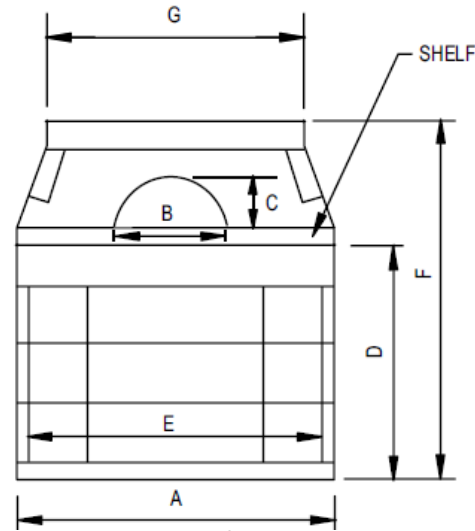


Model	A	B	C	MINIMUM FRAMING	WEIGHT
36"	43"	36 1/8"	27 1/4"	(43"W)x(37 1/2"H)x(25 1/4"D)	715 lbs
42"	49"	43 1/8"	33 1/4"	(49"W)x(37 1/2"H)x(25 1/4"D)	820 lbs
46"	53"	47 1/8"	37 1/4"	(53"W)x(37 1/2"H)x(25 1/4"D)	880 lbs

ISOven



ISO'ven 1
TABLE TOP
(Base By Others)



ISO'ven 2
WITH OPTIONAL STORAGE

MODEL	"A"	"B"	"C"	"D"	"E"	"F"	"G"	SHELF DEPTH:	WEIGHT
ISO'ven 1-Table Top	53"	18"	11"	N/A	N/A	22"	43"	43" (35" MIN BASE By Others)	1100 lbs
ISO'ven 2-With Optional Base	53"	18"	11"	42 1/2"	48 1/2"	61 1/2"	43"	CUT TO 37"	1850 lbs

BASIC KIT

CONTAINS:

- Magnum or Standard or Vent Free Firebox
- 50lb Mortar



Magnum Series



Standard Series



Vent Free Series

50 lb Mortar



OUTDOOR KIT

CONTAINS:

- Magnum or Standard Series Firebox
- (4) EM40 Chimney Blocks
- (1) 50lb Mortar



50 lb Mortar

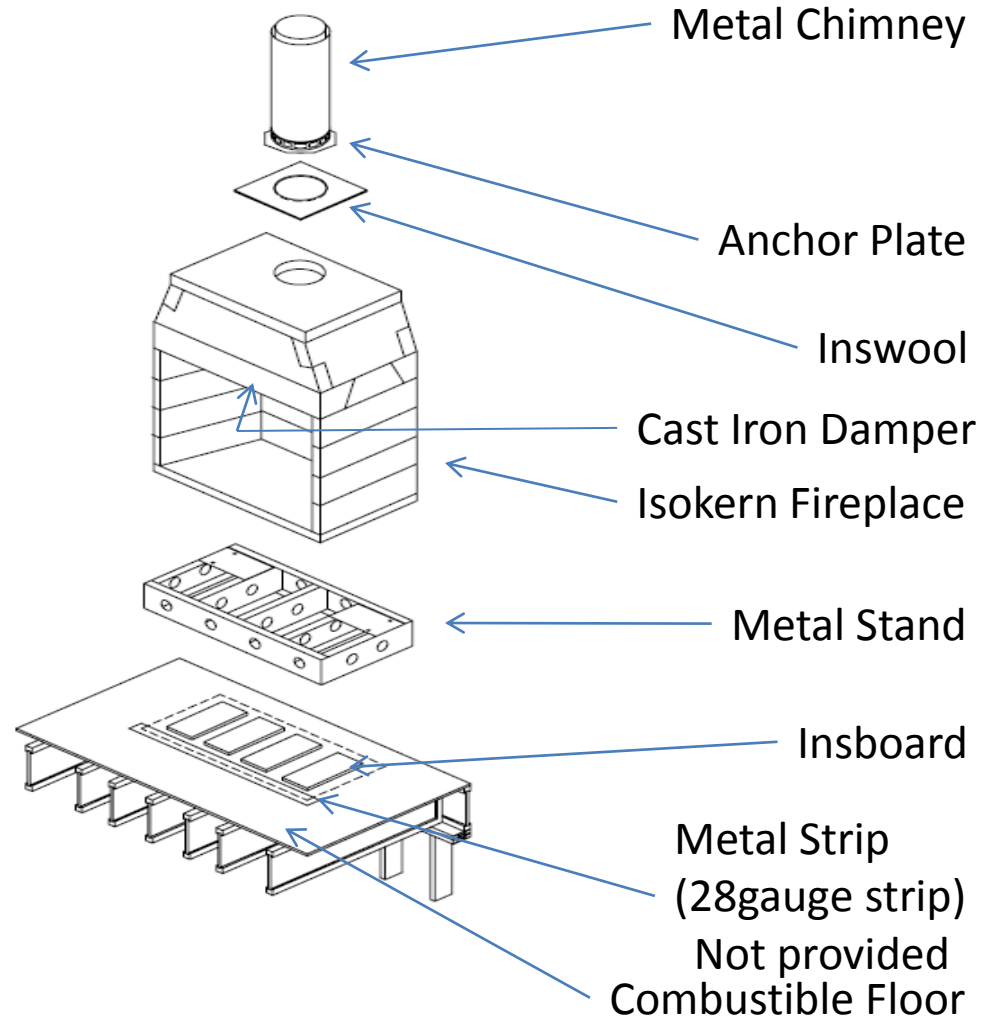


EM40 Mono Chimney is a universal flue, with proprietary “Air Vent” technology designed specifically for Outdoor Applications

FIRELITE KIT

CONTAINS:

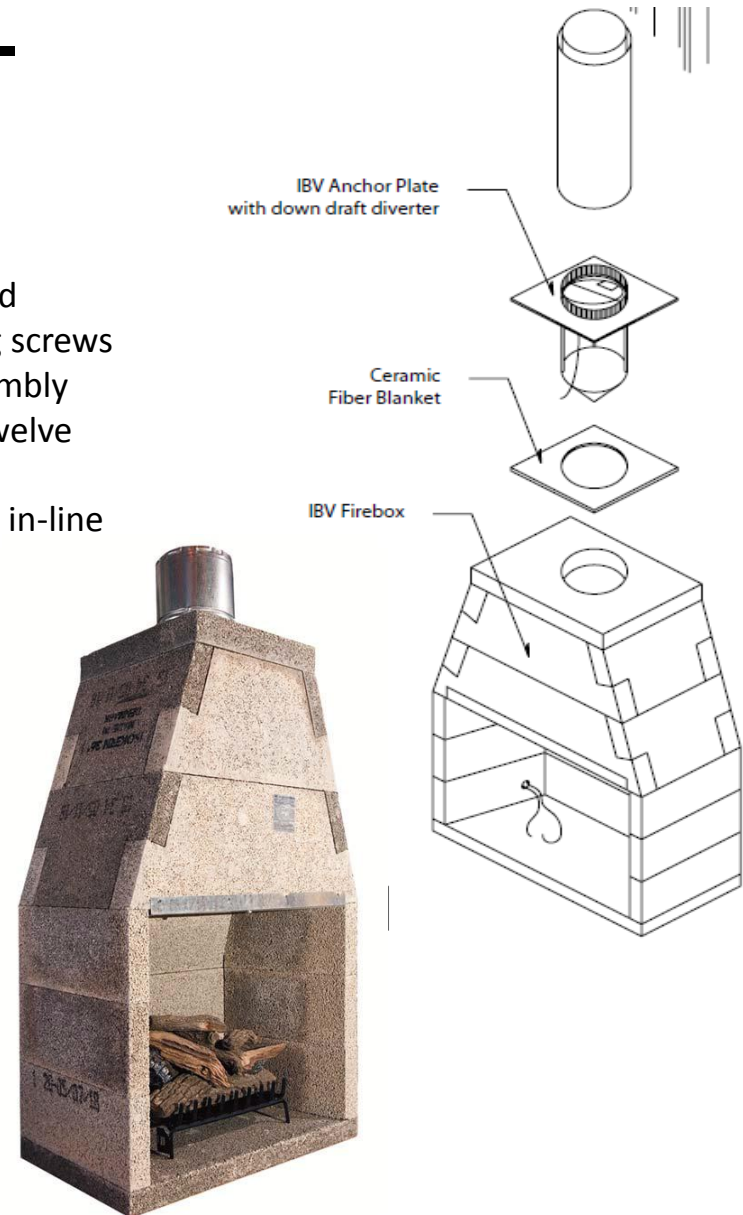
- Magnum or Standard Series Firebox
- (1) INSBOARD Insulation Board
- (1) Metal Stand
- (1) Cast Iron Damper
- (1) INSWOOL Insulation Blanket
- (1) Anchor Plate
- (1) 50lb Mortar



IBV KIT

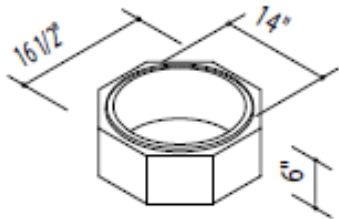
CONTAINS:

- IBV Firebox
- IBV Components (2 boxes)
 - Box 1 Contains: B-Vent Installation, Operation, Maintenance and Owner's Manual, (1) metal canopy/wiring raceway w/4 mounting screws with high temp limit switch and damper macro switch/lever assembly pre-mounted (warning stickers attached)., (2) high temp wires, twelve feet long.
 - Box 2 Contains: (1) 10" anchor plate w/down draft diverter and in-line damper with 4 mounting screws. (1) C-Clamp warning label. (1) Inswool Insulation Blanket
- (1) ISOFlames Gas Log Set
- (1) 50lb Mortar

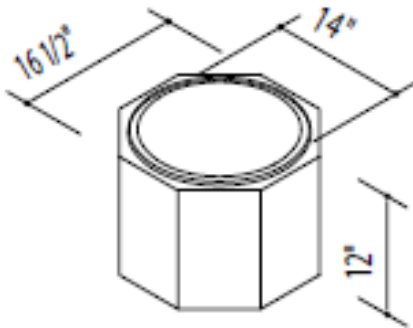


DM54 Chimney System

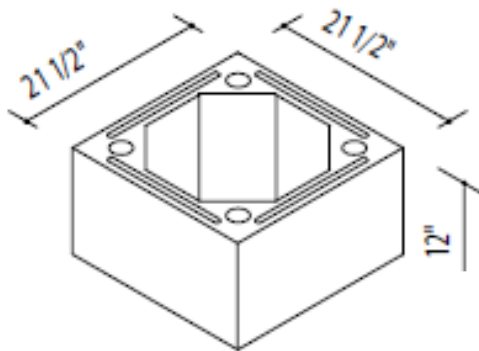
6" HIGH
STARTER
INNER LINER



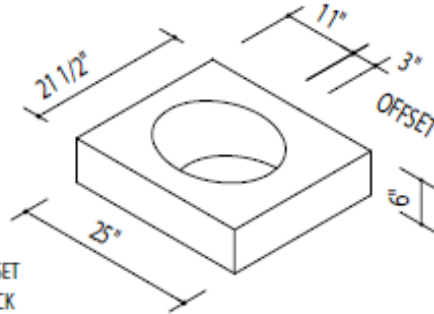
12" HIGH
INNER
LINER



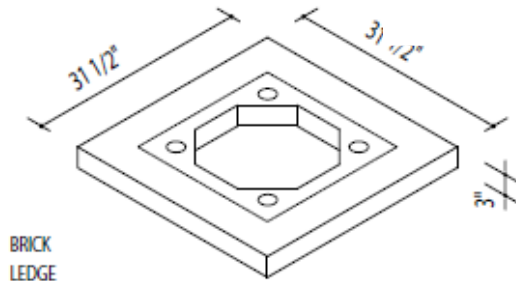
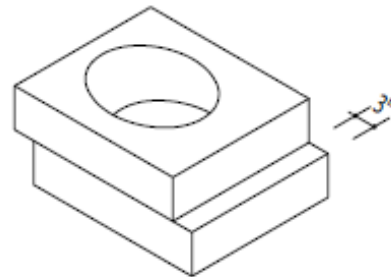
OUTER
CASING



OFFSET
BLOCK

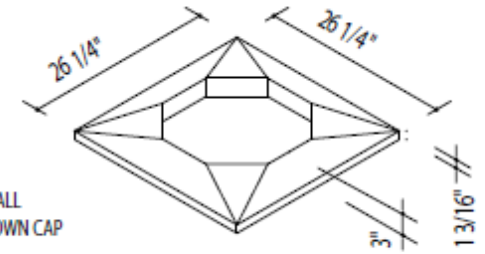


OFFSET
BLOCK

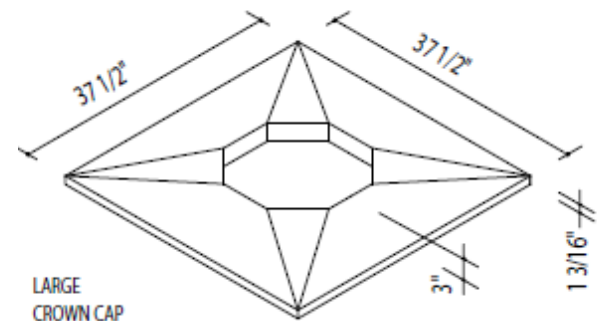


BRICK
LEDGE

SMALL
CROWN CAP

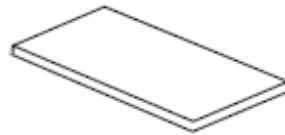


LARGE
CROWN CAP



Isokern Fireplace System Components Overview

Base Plate



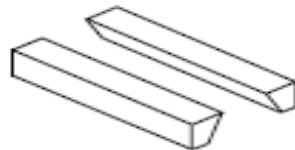
Side Wall



Back Wall



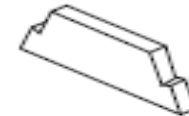
Damper Beams



Damper Supports



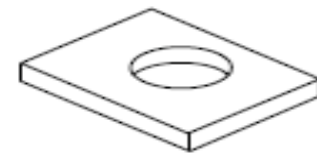
Smoke Dome (front & back)



Smoke Dome (sides)



Top Plate



CAST IRON DAMPERS



24" Damper used for:

- Magnum 28

33" Damper used for:

- Standard 36 and 42
- Magnum 36 and 42

42" Damper used for:

- Standard 46
- Magnum 48

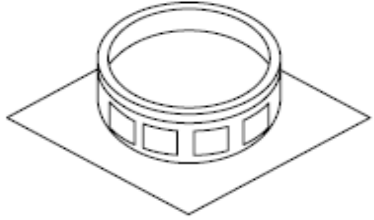
60" Damper used for:

- Magnum 60

72" Damper used for:

- Magnum 72

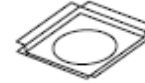
FTF METAL CHIMNEY SYSTEM



Anchor Plate



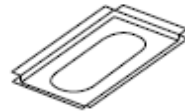
Stabilizer



FireStop Spacer



Chimney Section



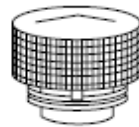
FireStop Spacer (30°)



Combination Offset
Return Elbow



Offset/Return
Package (30°)



Round Termination



Locking Band

ELEMENTAL CLAY POTS



Roxbury

110 lbs

Height: 25"

Top Dia: 14" ID/15.5" OD

Bottom Dia: 17.5" ID/20.5" OD



Ontario

80 lbs

Height: 23"

Top Dia: 11" ID / 13" OD

Bottom Dia: 12" ID / 14" OD



Glasgow

260 lbs

Height: 25"

Top Dia: 16" ID/20" OD

Bottom Dia: 26" ID/30" OD



Portsmouth

130 lbs

Height: 30.5"

Top Dia: 15" ID/17.5" OD

Bottom Dia: 16" ID / 18.5" OD



Newcastle

130 lbs

Height: 38"

Top Dia: 14" ID/15.5" OD

Bottom Dia: 17.5" ID/20.5" OD



Manchester

150 lbs

Height: 36"

Top Dia: 13" ID/16.5" OD

Bottom Dia: 14" ID/17.5" OD



Oxford

130 lbs

Height: 32"

Top Dia: 12" ID/14" OD

Bottom Dia: 14" ID/16" OD



Dorchester

150 lbs

Height: 26.5"

Top Inside Dia: 20.5" / 15"

Bottom Inside Dia: 21"/18.5"

Top Outside Dia: 23.5"/18.5"

Bottom Outside Dia: 23.5"/19"

ELEMENTAL COPPER POTS



Pawn
21 lbs
Height: 25"
Clear: 18 5/8"



Knight II
28 lbs
Height: 38"
Clear: 14"



Knight I
40 lbs
Height: 44"
Clear: 19"



Bishop II
41 lbs
Height: 39"
Clear: 18 1/4"



Bishop I
46 lbs
Height: 52"
Clear: 24"

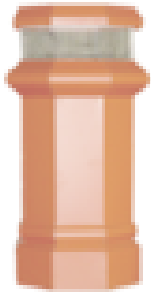


Queen
32 lbs
Height: 41"
Clear: 18"



King
45 lbs
Height: 48"
Clear: 22"

ELE-METAL CLAY POTS



Portsmouth
37 lbs
Height: 36"
Bottom ID: 17"



Dorchester
46 lbs
Height: 32"
Bottom ID: 21"

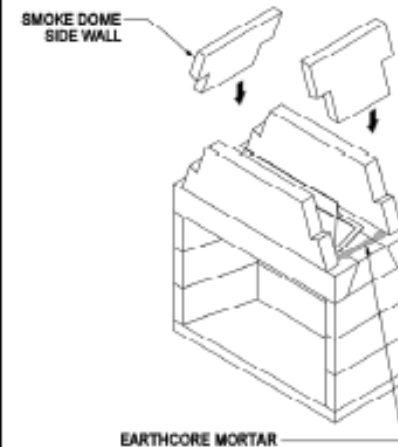
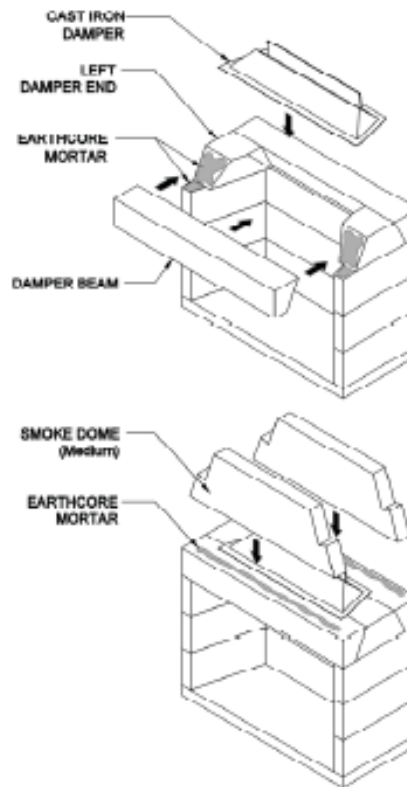
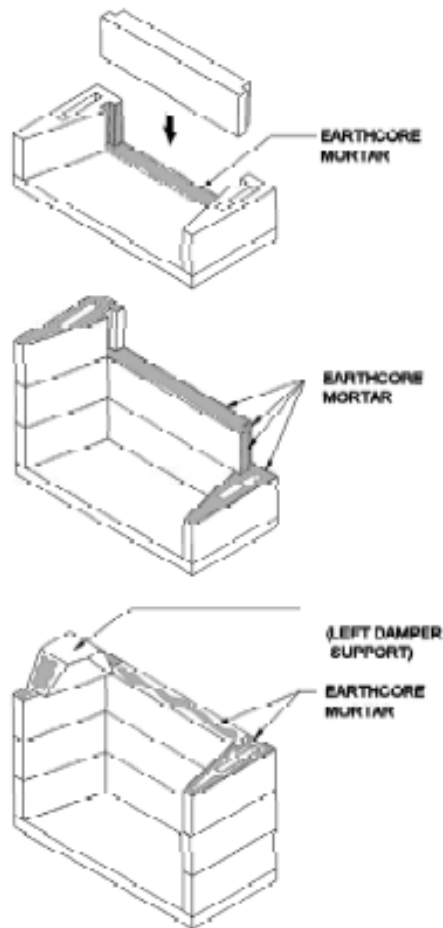


Glasgow
46 lbs
Height: 32"
Bottom ID: 28"

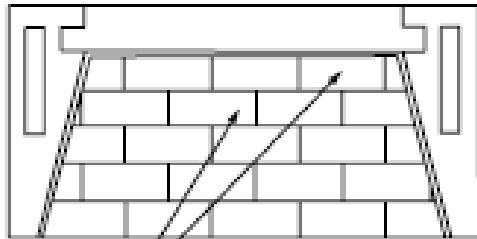


Ontario
37 lbs
Height: 38"
Bottom ID: 38"

Isokern Fireplace System General Installation

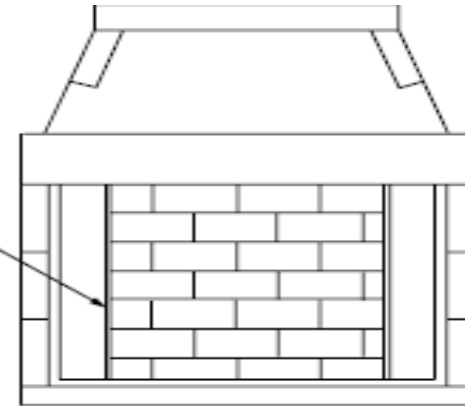


Installing Firebrick



**FIREBRICK FLOOR
AND BACKWALL
(BUILT FIRST)**

**2" EXPANSION
AP
(OTH SIDES)**



Model	Fire Brick Needed for Running Bond	Fire Brick needed for Herringbone
36"	90	110
42"	100	120
46"	120	145
48"	140	170
60"	180 splits / 60 full	220 splits / 60 full
72"	200 splits / 60 full	240 splits / 60 full

****full brick with split overlay required on 60/72 Magnums**

Frequently Asked Questions

Q: What size Damper should I use?

A: Use 24" Damper for 28" Magnum.

Use 33" Damper for 36" & 42" Standard and Magnum Fireplaces.

Use 42" Damper for 46" Standard and 48" Magnum Fireplaces.

Use 60" Damper for 60 " Magnum

Use 72" Damper for 72" Magnum

Q: How many firebrick are needed? (assuming running bond pattern)

A: 36" Units = 90 brick

42" Units = 100 brick

46" Units = 120 brick

48" Units = 140 brick

60" Units =

72" Units =

Q: How much mortar is needed?

A: 50# Pail of Earthcore Mortar is plenty for all fireplace units

You will need (2) 50# Pails of Earthcore Mortar for 60/72" Magnums

You will need additional 50# pail for each 20ft of DM54 Chimney

Q: Does Isokern offer 2-sided Fireplaces?

A: Yes. The Isokern Standard Series and Vent-Free series can be installed for a 'see-thru' application. These particular installations are referenced in both Series' installation manuals.

Frequently Asked Questions

Q: How long will my Isokern last?

A: When treated and installed properly, Isokern products should at least last the life of your house.

Q: Can my Isokern Fireplace be made to have a taller opening?

A: Yes, but there are limitations to doing this such as ceiling height, surrounding environment and indoor air quality.

Q: Can I install my own Isokern fireplace or chimney system?

A: Although simple and kit-like in design, Isokern products are not do-it-yourself projects and need to be installed by a professional. However, an Outdoor fireplace system can be assembled by the homeowner according to the assembly guide.

Q: Can an Isokern fireplace system sit on a wood floor?

A: The Vent-Free and IBV series units can sit on a wood floor. However, most wood burning Isokern fireplaces cannot. The exception to this is the Standard and Magnum Series when the Fire-Lite application is applied.

Frequently Asked Questions

Q: What type of gas logs can be used in an Isokern fireplace system?

A: Vented gas logs can be used in the IBV, Standard, and Magnum Series fireplace systems. These gas logs range from 50,000 BTU to 100,000 BTU maximum. The Vent-Free Series specifies the use of AGA listed "vent-free" log sets. The "vent-free" log sets are 40,000 BTU maximum.

Q: Do Isokern fireplaces come with a glass front?

A: No. All Isokern fireplaces are designed as open front units. If glass doors are required by local code or desired, the fireplace must be burned with the glass doors in the fully open position.

Q: Can I vent an Isokern directly out the back of the box?

A: No. Isokern vented units are specifically designed to vent vertically.

Q: Does Isokern sell mantels or provide mantels with Isokern fireplace systems?

A: Yes. Some Isokern offices do provide mantles - Austin, Dallas and Houston all provide cast stone mantels designed to fit Isokern fireplaces.

Q: Is there a maximum and/or minimum chimney height for the Isokern?

A: Yes, 80' (eighty feet) maximum height and 18' (eighteen feet) of DM Chimney components minimum. Please check with local codes and sales representatives for outdoor application requirements.

Frequently Asked Questions

Q: Can a metal chimney be used on an Isokern?

A: Yes. The metal chimney must be listed for use with solid fuel (UL 103). However, for the Fire-Lite application, a double walled, air-cooled chimney is required.

Q: Can stucco, brick or stone be directly applied to an Isokern fireplace or chimney system?

A: Yes. We recommend the material be scratch-coated or metal lathed prior to the finish application. Please consult your builder or finished application professional.

Q: Can an Isokern fireplace or chimney system be properly installed if cracks exist in the components?

A: Yes. The components can easily be repaired with ECI approved mortar which will not negatively affect performance or safety. If components are visibly unusable please consult your local sales representative, dealer or distributor.

Q: How can an Isokern chimney system be terminated?

A: Isokern chimney systems may be terminated in methods such as a stucco cap or brick or stone veneer cap. Please consult your builder or designer for termination needs.